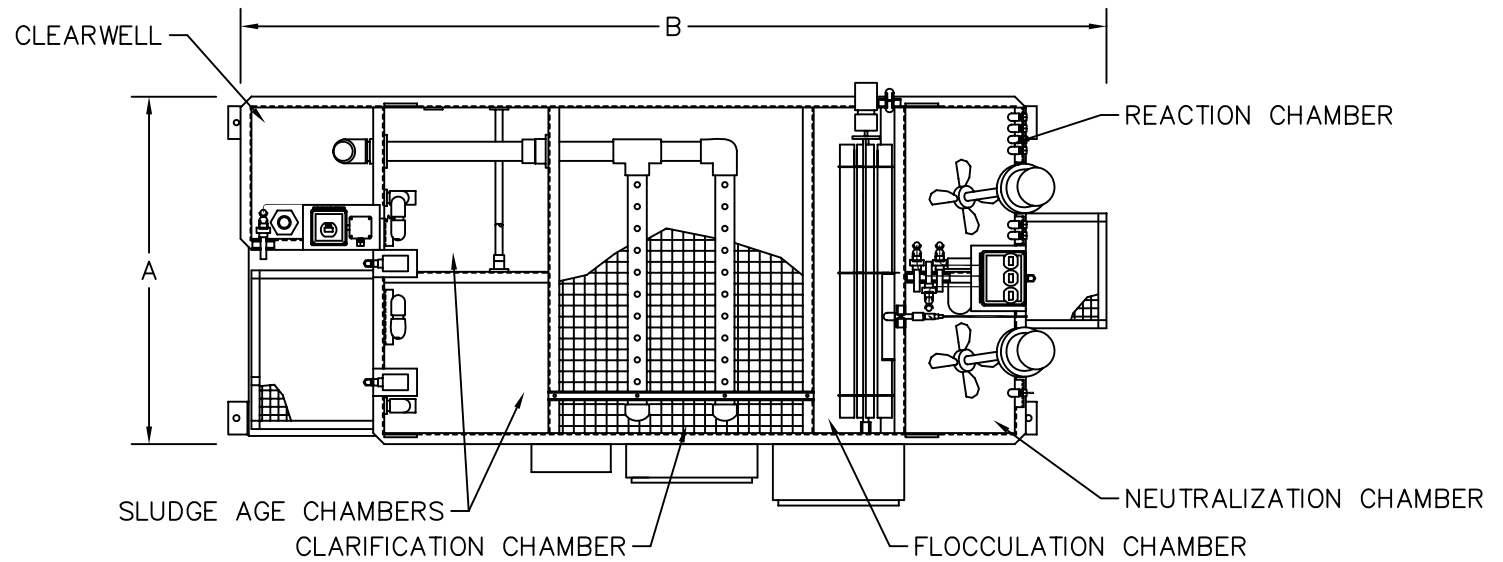


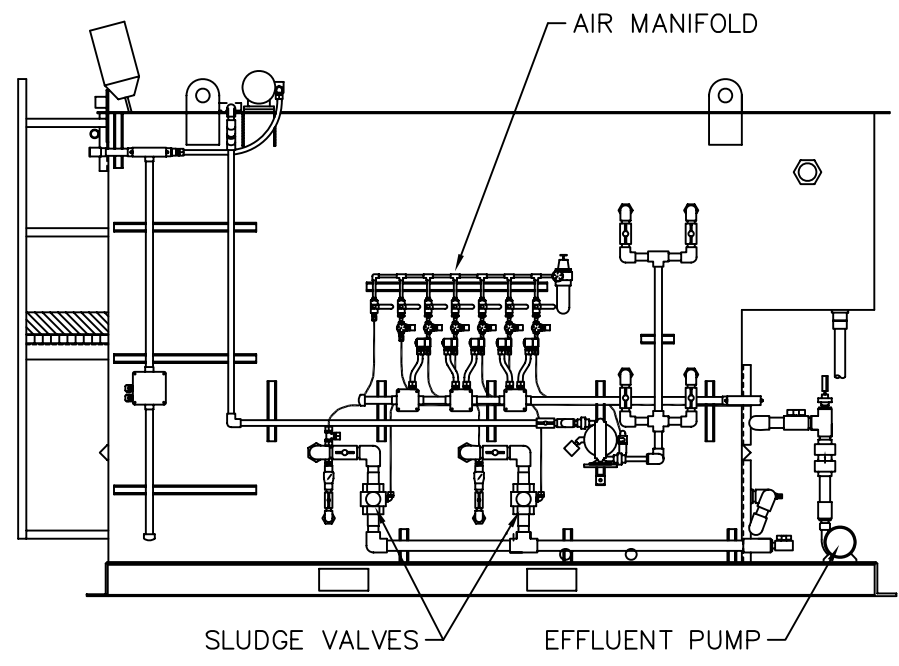
| MODEL #   | FLOWRATE (GPM) | WIDTH (DIM A) | LENGTH (DIM B) | HEIGHT (DIM C) | MATERIAL     |
|-----------|----------------|---------------|----------------|----------------|--------------|
| HMR-15-2  | 15             | 5'-6"         | 12'-0"         | 10'-0"         | CARBON STEEL |
| HMR-30-2  | 30             | 5'-6"         | 16'-0"         | 10'-0"         | CARBON STEEL |
| HMR-50-2  | 50             | 8'-6"         | 17'-0"         | 10'-0"         | CARBON STEEL |
| HMR-75-2  | 75             | 8'-6"         | 23'-0"         | 11'-0"         | CARBON STEEL |
| HMR-100-2 | 100            | 8'-6"         | 25'-0"         | 11'-0"         | CARBON STEEL |

- STANDARD ELECTRICAL POWER IS 208 VAC 3 $\phi$ .
- CONTACT FACTORY FOR LARGER SYSTEMS.
- DIMENSIONS SUBJECT TO CHANGE

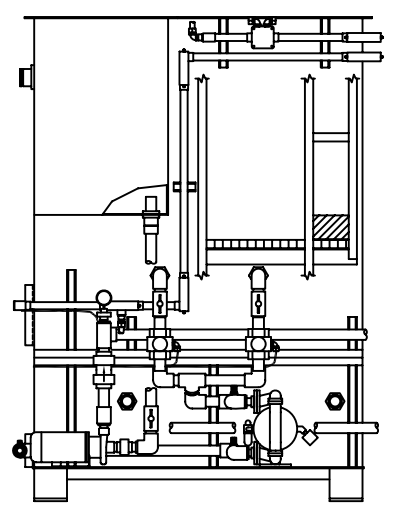
| REV | DESCRIPTION OF CHANGE | DATE     | DRAWN/APPROVED |
|-----|-----------------------|----------|----------------|
| A   | INITIAL RELEASE       | 4/8/2005 | DP             |



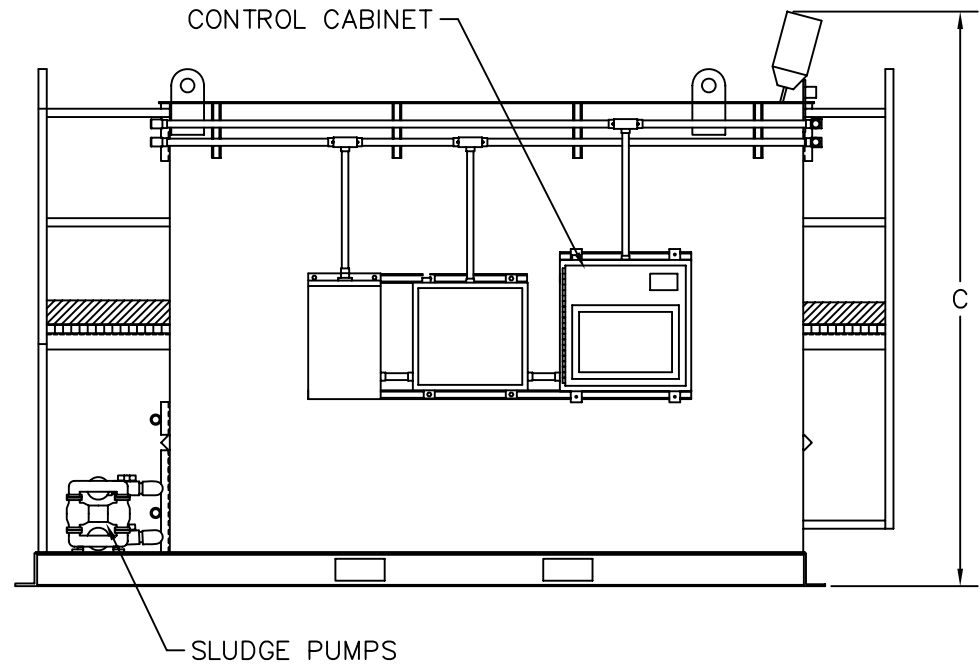
PLAN VIEW



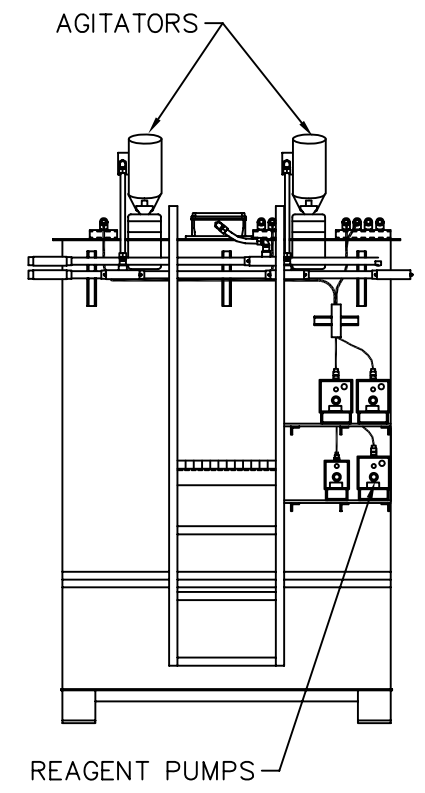
REAR ELEVATION



LEFT ELEVATION



FRONT ELEVATION



RIGHT ELEVATION

HMR - PRECIPITATION SYSTEM

[www.TSI-LLC.us](http://www.TSI-LLC.us)

**TSI** TOTAL SYSTEMS INTERNATIONAL, LLC  
 1256 Bretmoor Way  
 San Jose, CA 95129  
 USA  
 Phone: 1-408-996-0447  
 Facsimile: 1-408-996-9480

|  |                |              |              |
|--|----------------|--------------|--------------|
| CUT SHEET  |                |              |              |
| HMR PRECIPITATION SYSTEM   |                |              |              |
| PROPRIETARY INFORMATION: This document may not be used or copied without prior written permission of TSI |                |              |              |
| FILENAME: HMR-2CUT   | DATE: 4/8/2005 | DRAWN BY: DP | CHECKED BY:  |
| DRAWING NUMBER: HMR-2CUT   | SCALE: NONE    | SIZE: D      | SHEET 1 OF 1 |