

# CONSTRUCTION/ASSEMBLY NOTES:

- PANEL SURFACES:** SOLID FACE IS 16 GA. COLD ROLLED STEEL WITH A-60 GALVANNEAL COATING. PERFORATED FACE IS 22 GA. WITH  $\frac{3}{32}$ " HOLES ON  $\frac{3}{16}$ " STAGGERED CENTERS.
- PANEL FILL:** NON-COMBUSTIBLE, SOUND ABSORBING FIBERGLASS
- FINISH:** STD. FINISH IS "PAINT READY" GALVANNEAL. THERMOSETTING TGIC POLYESTER POWDER COATING IS AVAILABLE. COLOR TO BE SELECTED BY ARCHITECT/CUSTOMER FROM STANDARD COLOR CHART SUPPLIED BY NOISE BARRIERS, LLC. COLOR TO BE: \_\_\_\_\_
- PANELS SHALL BE LOWERED CONSECUTIVELY BETWEEN VERTICAL WIDE FLANGED BEAMS. BARRIER WALL SHALL BE DESIGNED TO WITHSTAND WINDLOAD IN ACCORDANCE WITH THE SPECIFIED LOCAL CODE REQUIREMENTS OF THE PROJECT. REFER TO INSTALLATION DETAILS 'OPTION 1' & 'OPTION 2' FOR ALTERNATES.
- THE BARRIER PANEL ARE DESIGNED TO WITHSTAND WIND LOADS OF 40 POUNDS PER SQUARE FOOT, BOTH NEGATIVE AND POSITIVE.
- STRUCTURAL STEEL COLUMNS ARE PRIME PAINTED & FINISH PAINTED IN COLOR TO MATCH PANELS. PAINT TO BE SHOP APPLIED AND AIR DRIED.

## BARRIER PANEL ACOUSTIC PERFORMANCE

### SOUND TRANSMISSION LOSS, dB

OCTAVE BAND CENTER FREQUENCIES (Hz)	125	250	500	1K	2K	4K	STC
QUIETLINE H/P-42 V-STACK PANEL	23	31	40	49	56	62	42

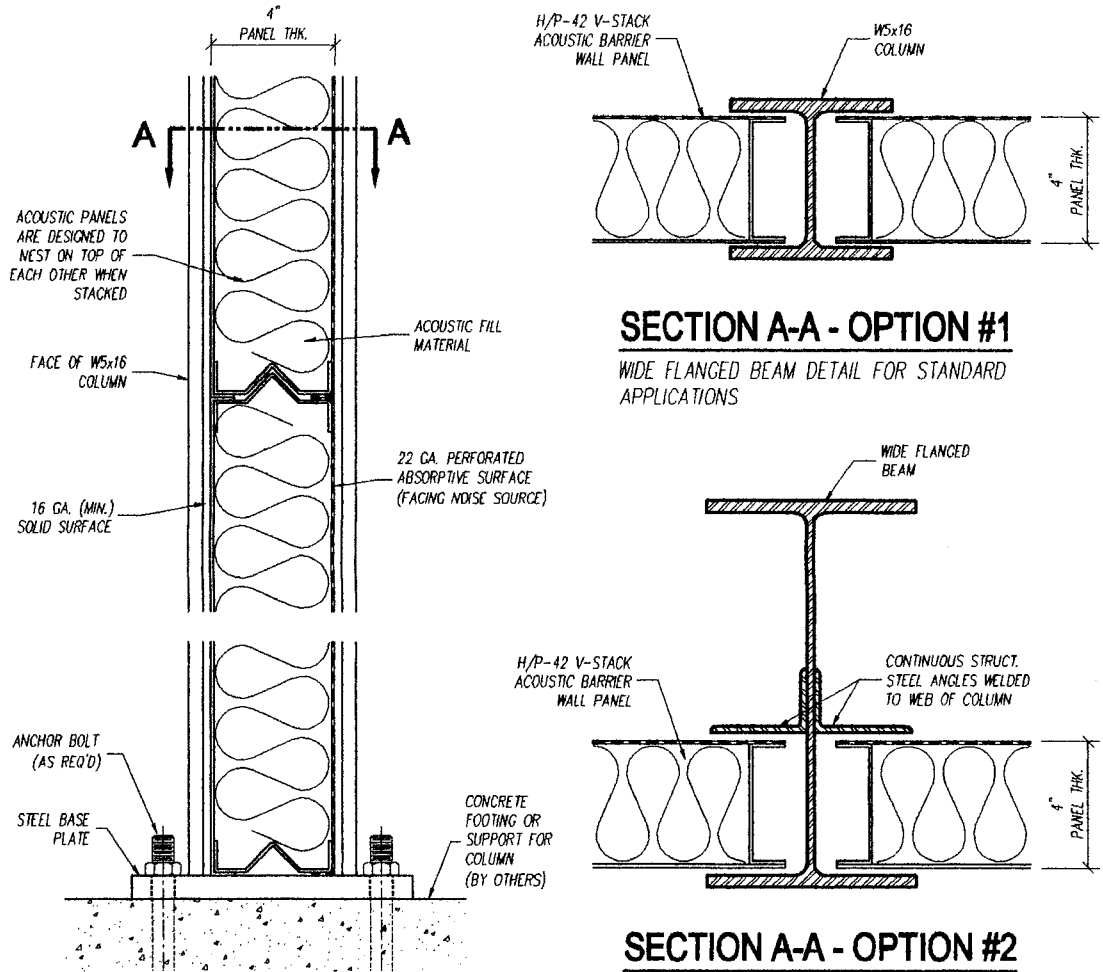
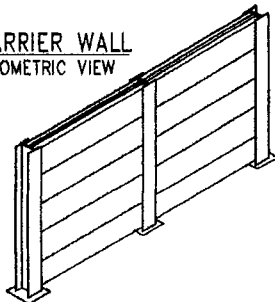
\*All data in accordance with ASTM E90-99 and E413-87

### SOUND ABSORPTION COEFFICIENTS

OCTAVE BAND CENTER FREQUENCIES (Hz)	125	250	500	1K	2K	4K	NRC
QUIETLINE H/P-42 V-STACK PANEL	0.68	1.06	1.12	1.08	1.03	0.98	0.95 (1.05)

\*All data in accordance with ASTM G423-90a and E795-00

BARRIER WALL ISOMETRIC VIEW

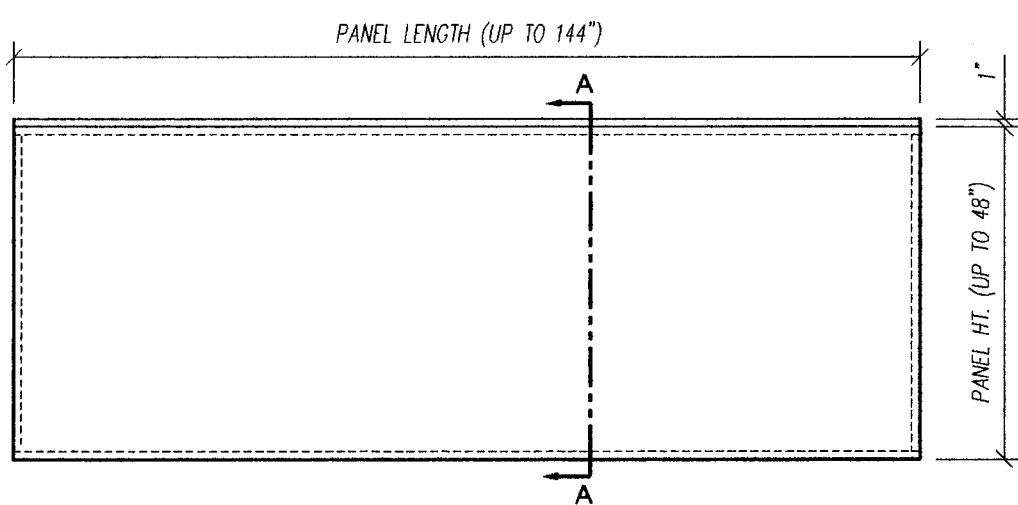


WALL SECTION DETAIL

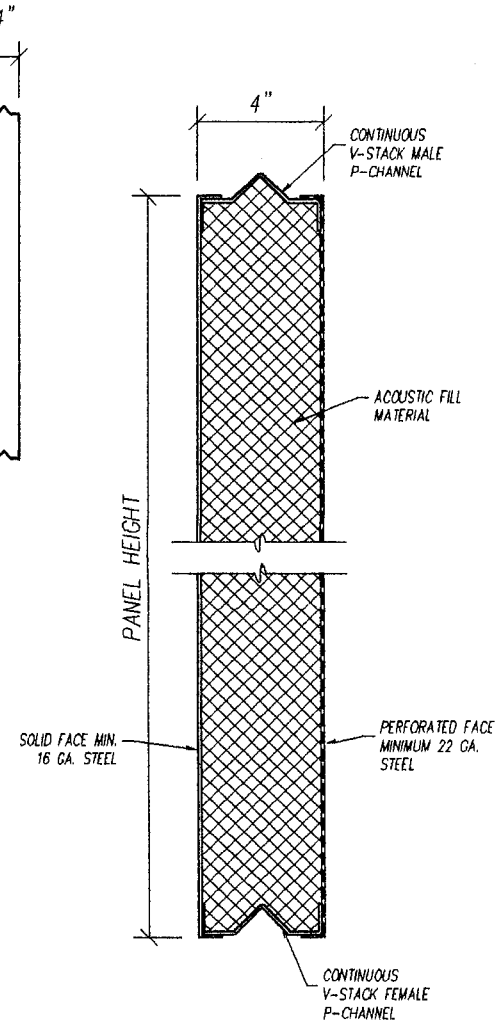
REVISIONS	DESCRIPTION	DATE	BY	DESCRIPTION

PROJECT		QUIETLINE H/P V-STACK BARRIER PANEL	
DRAWN BY	SCALE	DRAWING NO.	V-STACK-1
DATE	SHEET		

**Noise Barriers, LLC**  
 1207 Remington Rd., Suite E  
 Schaumburg, IL 60173  
 Phone: (847) 843-0500  
 Fax: (847) 843-0501  
[www.noisebarriers.com](http://www.noisebarriers.com)



**V-STACK ACOUSTIC BARRIER WALL PANEL**  
**FRONT & SIDE ELEVATIONS**



**SECTION A-A**

PANEL No.	QTY.	PANEL LENGTH	PANEL HEIGHT

**'V-STACK' BARRIER PANEL**

REVISIONS	DESCRIPTION	DATE	BY	DESCRIPTION	PROJECT
				QUIETLINE H/P V-STACK BARRIER PANEL	


**Noise Barriers, LLC**  
 1207 Remington Rd., Suite E  
 Schaumburg, IL 60173  
 Phone: (847) 843-0500  
 Fax: (847) 843-0501  
[www.noisebarriers.com](http://www.noisebarriers.com)

**V-STACK-2**